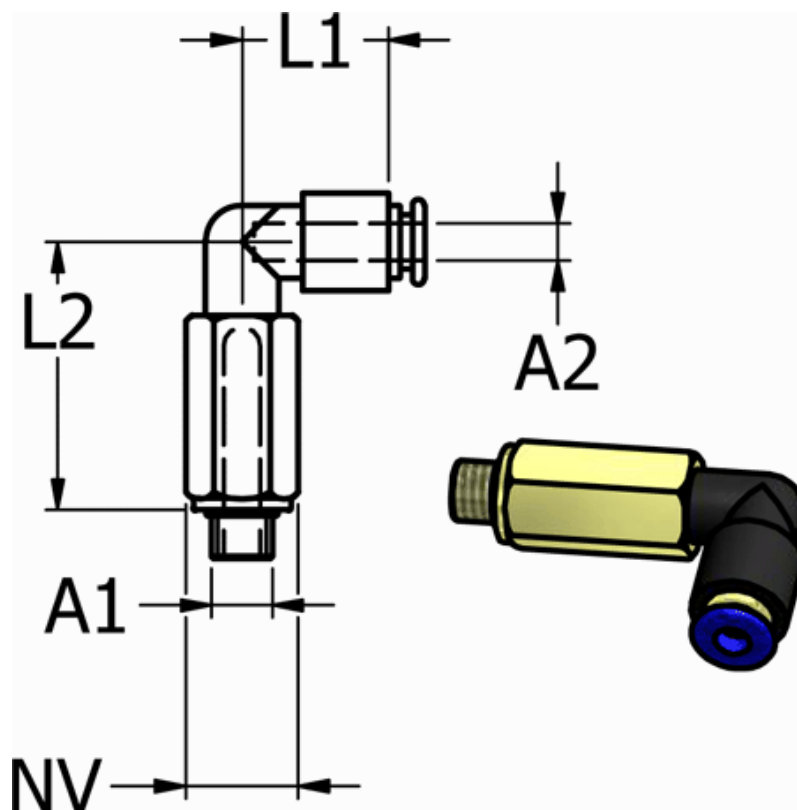


Article number: 586PLL66

Description: Mini Push-in PLL66, angle, M6 hose Ø6

## Measures



Ext. hose diameter A2 = 6 mm

L1 = 32

L2 = 18.6

NV = 10

Thread A1 = M6